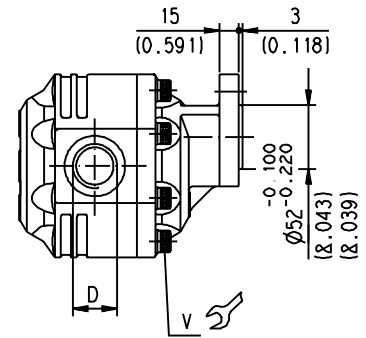
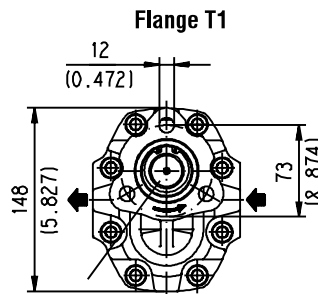
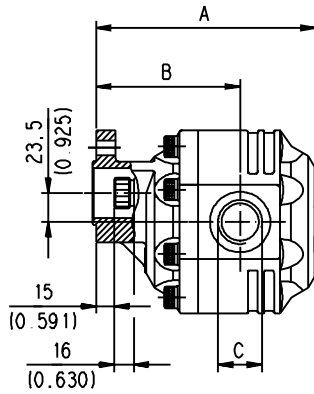
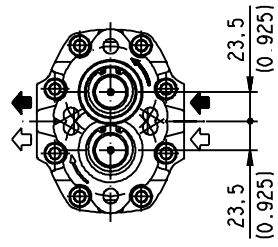
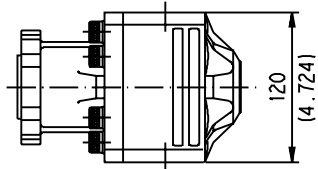
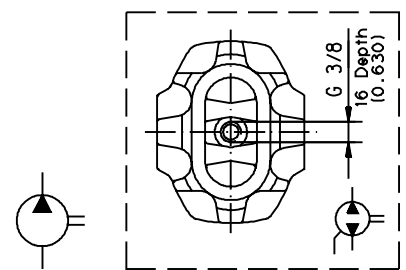


**GAS STRAIGHT THREAD PORTS**

British standard pipe parallel (55°) conforms to UNI - ISO 228


 Shaft  
 UNI 8953 6x21x25 S  
 MAX. TORQUE 360 Nm  
 (3186 lbf in)

**Flange T2**  
 Only for rotation S-D


D100-113/0805

Screw tightening torque Nm (lbf in)

<b>V</b>
70 <sup>±7</sup> (558 ÷ 682)

Pump type	A	B	C	D	Mass				
						mm (in)	mm (in)	IN	OUT
<b>FP 30•17</b>	S D R B 0-19	T1 T2	L GD/GD-N	G 1/2	G 1/2	9 (19.85)			
<b>FP 30•27</b>						9,3 (20.51)			
<b>FP 30•34</b>						9,6 (21.17)			
<b>FP 30•38</b>						9,8 (21.61)			
<b>FP 30•43</b>			L GE/GE-N	G 3/4	G 3/4	10 (22.05)			
<b>FP 30•51</b>						10,3 (22.71)			
<b>FP 30•61</b>						L GF/GF-N	G1	G1	10,7 (23.59)
<b>FP 30•73</b>									10,9 (24.03)

 Rotation: S=left - D=right - R=reversible - B=reversible internal drain  
 How to order:

(●) Only available in T1 version.

**FP 30•17 S0-19T1-L GD/GD-N**

01/08.2005